

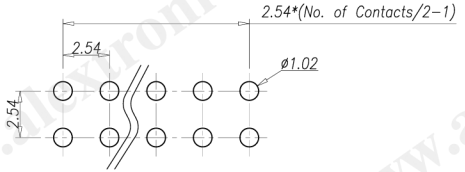
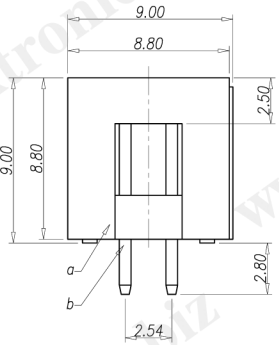
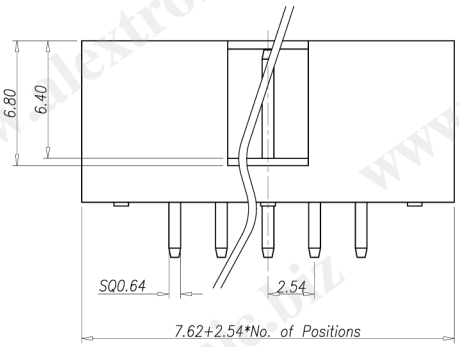
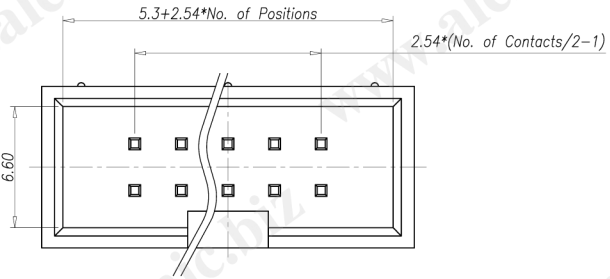
CATEGORY	DESCRIPTION	P/N #
CONNECTOR	2.54mm BOX HEADER, V/A, T/H	PH10PV-XX070-0091

A02 料號由PH10PV-10070-0091
變更為PH10PV-XX070-0091

REV.	ECN NO	DESCRIPTION	REVISED	DATE
A01		New Release	Luguan	2009.07.28
A02	ECN090814001	增加PIN數規格及變更料號	Luguan	2009.08.14

- SPECIFICATION
- CURRENT RATING : 3 Amp MAX.
 - DIELECTRIC WITHSTANDING VOLTAGE : AC 500V
 - INSULATION RESISTANCE: 1000MQ MIN.
 - OPERATING TEMPERATURE : -40° C TO +105° C

PART NO.:
PH10PV-XX070-0091
Terminal QTY: 06~64



Recommend PCB Layout
(Jack Top View)
Tolerance: ±0.05mm
Recommend PCB Thickness: 1.6mm

Product Drawing
ALEXTRONIC

UNLESS OTHERWISE SPECIFIED TOLERANCES	SCALE:1/1	UNIT: mm		DWG.NO:
	SIZE: A3	PAGE:1 OF 1	REV:A02	WI-061-588
DECIMALS: X :±0.5 X.X :±0.3 X.XX :±0.2	ANGLES: X :±2° X.X :±1°	APPROVED BY	CHECKED BY	PREPARED BY
		WYX	Pengjie	Luguan
CUSTOMER COPY				

NO.	PART NAME	Q'TY	MATERIAL	PLATING & COLOR	Remark
b	Terminal	XX	Brass, SQ0.64mm	Gold Flash Plating	
a	Housing	1	PA UL94V-0	Black	

See PART NO.